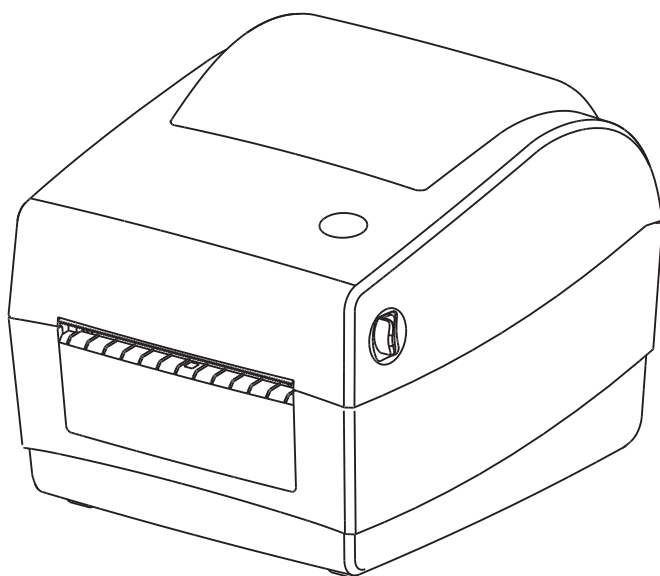


RONGTA User Manual

RP310 LABEL PRINTER



Contents

I. Product Introduction.....	2
1.1 Safety Warnings.....	2
1.2 Main Features.....	2
II. Safety Instructions.....	3
III. Appearance and Components.....	4
IV. Technical Parameters.....	5
4.1 Printer Parameters.....	5
V. Installation and Operation of Printer.....	6
5.1 Printer Unpacking.....	6
5.2 Connecting the Printer.....	6
5.3 Loading Paper.....	7
5.4 Bluetooth Pairing and Printing.....	8
5.5 Use Bluetooth Interface for Printing.....	8
VI. The Switch, Key and Indicator Light of Printer.....	9
6.1 Power Switch.....	9
6.2 Keys and Indicators.....	9
VII. Printer Test.....	10
7.1 Print Self-Test Page.....	10
7.2 Print with the Windows Driver.....	10
7.3 Label Learning.....	11
VIII. Cleaning the Printer.....	12
8.1 Cleaning the Printer Head.....	12
8.2 Cleaning the Sensor.....	12
8.3 Cleaning the Printing Rubber Roller.....	13
IX. Troubleshooting.....	14

I. Product Introduction

Thank you for purchasing the label printer produced by our company.

This label printer provides you with safe, reliable and efficient printing quality at a reasonable economic price. At the same time, RP310 is widely used in supermarkets, catering industry , clothing industry , warehousing industry , etc.due to its super functions and easy operation.

1.1 Safety Warnings

- ⚠ Warning:** Do not touch the paper cutting knife or paper-tearing knife of the printer.
- ⚠ Warning:** The print head is a heating component. Do not touch the print head and its surrounding components when the printer is still warm in temperature.
- ⚠ Warning:** Do not touch the surface of the thermal print head and connectors, to avoid electrostatic damage to the print head.
- ⚠ Warning:** This product is only suitable for the use in non-tropical climates.

Warning

It is a class A product. In the living environment, this product may cause radio interference. In this case, users may need to take practical measures against its interference.

1.2 Main Features

- High printing quality
- Low noise
- The attractive appearance
- Reasonable structure, simple use and maintenance
- Label off intelligent handling function
- Fast printing, with print speed of up to 180mm/s, saving printing time greatly.
- Superior heat dissipation, can handle heavy printing workload
- Reprinting function, can effectively avoid the loss and omission of label information
- in the printing process caused by lack of paper.
Automatic paper positioning after re-opening and re-closing the cover,
- Can effectively avoid the trouble and waste of labels caused by printing dislocation
Automatic identification of paper

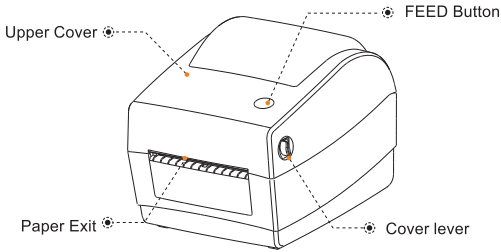
II. Safety Instructions

Before operating and using the printer, please carefully read the following items and strictly observe the use rules.

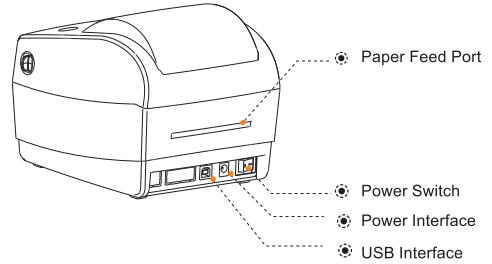
- ① Please install the printer on a stable surface to avoid printer suffered from any vibration and shocks.
- ② Do not use and store the printer in places with high temperature, high humidity and high pollution.
- ③ Connect the printer's power adapter to an appropriate grounding socket. Avoid using the same socket with large motors or other equipment that may cause voltage fluctuation of power supply.
- ④ Keep water or conductive materials (such as metal) out of the printer. Once it occurs, Power should be turned off immediately.
- ⑤ Never use the printer without paper, otherwise it will seriously damage the printing rubber roller and thermal head.
- ⑥ Unplug the product from the power outlet if the printer is idle for a long time.
- ⑦ Do not disassemble or modify the product personally.
- ⑧ Use only the power adapter specified in this instruction.
- ⑨ In order to ensure the printing quality and prolong the service life of the product, it is recommended to use the recommended or equivalent thermal printing paper.
- ⑩ Do not plug/unplug the product with the product powered on.
- ⑪ When plugging and unplugging the printer power cord, please hold the arrow position of the printer power connector with your hand, not the cord of the printer power cord.
- ⑫ Please keep this manual for the future use and reference.

III. Appearance and Components

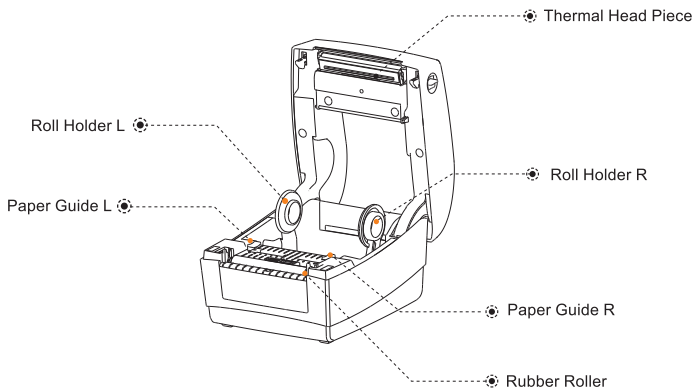
Front View



Rear View



Inside View




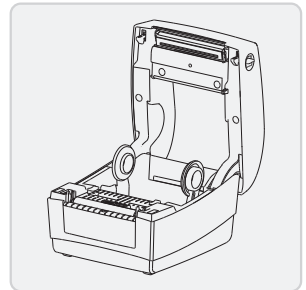
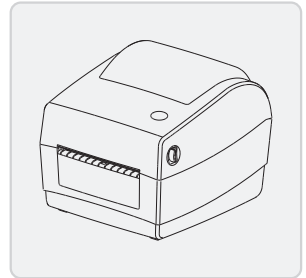
Application Field

- Cashier system of supermarkets
- Cashier system of catering industry,
- Cashier system of clothing industry
- Cashier system of warehousing industry

IV. Technical Parameters

4.1 Printing Parameters

Model	RP310
Printing method	Thermal line printer
Printing speed	180mm/s
Printing paper width	40~72 mm
Effective resolution	203 dpi
Thickness of printing paper	0.06-0.08mm
Effective printing width	40mm
Character size	ASCII Font A: 12x24 ASCII Font B: 9x17 Chinese character 24x24
Line space	3.75mm(Use the command to adjust the line space)
Interface type	Bluetooth+USB Interface (custom or select)
Print character	
ASCII character set	12x24 dot, 1.25 (width)X3.00 (height)mm
National Standard Class I and II Chinese Character Font	24x24 dot, 3.00 (width)X3.00 (height)mm
Type of bar code	One-dimensional code: Code 39 □ 39C □ 125 □ Code 93 □ ITF25 □ EAN128 □ Code 128 □ Codabar □ EAN-8 □ EAN8+2 □ EAN8+5 □ EAN-13 □ EAN13+2 □ EAN13+5 □ UPC-A □ UPCA+2 □ UPCA+5 □ UPC-E □ UPCE+2 □ UPCE+5 MSIC □ ITF14 □ EAN14 □ CODE11 □ POST QR code: PDF417 (optional)
Extended character table	Pc437、Katakana、PC850、PC860、PC863、PC865、WPC1252、PC866、PC852、PC858 ETC., 10 INTERNATIONAL LANGUAGES IN TOTAL
Power supply	
Power adapter	DC 24V  1.5A
Environmental requirements	
Working environment	Operating temperature: 0~ 50°C, Operating humidity: 20~85%
Storage environment	Storage temperature:-20 ~ 70°C, Storage humidity: 5~95%
Environmental conditions	
Drive	WINXP/WIN7/WIN8/WIN10
Print command	TSPL/CPCL(optional)/ZPL(optional)
Character printing	It supports double width and double height printing of AN K characters, custom characters and Chinese characters; adjusts dot patterns of character spacing for printing;



☺ Remark: The interface is optional or customized, and the specific interface is subject to the actual object.

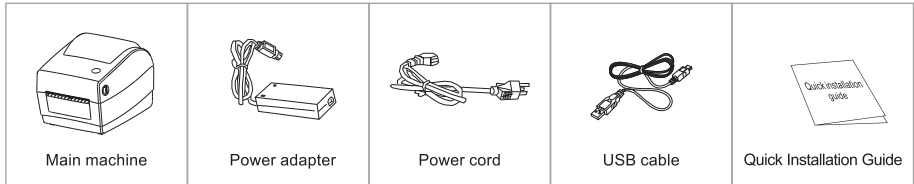
☐ The pictures are for reference only, please subject to practicality

V. Installation and Operation of Printer

5.1 Printer Unpacking

Check the parts:

Before use, make sure the accessories are included in the package(the following picture is an example). If any thing is missing, contact the supplier or manufacturer. The specific accessories may not be included depending on the printer model.



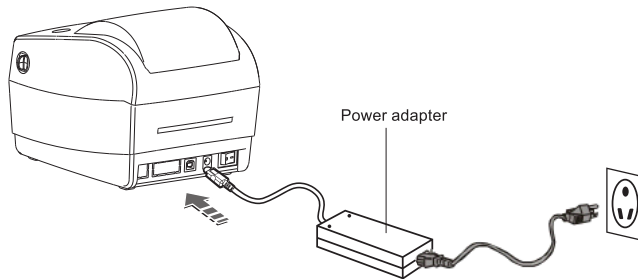
☺ The pictures are for reference only, please subject to practicality.

5.2 Connecting the Printer

Connect the power line

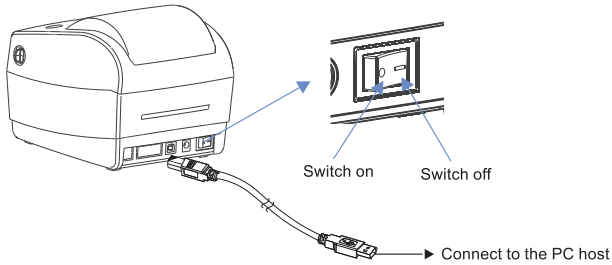
- (1) Confirm that the power switch is in off (0) state
- (2) Connect the power adapter to the printer
- (3) Connect the power line to the power adapter
- (4) Connect the other end of the power line to a nearby socket

**Use the special power adapter for the printer.
The connection diagram is as follows:**



❑ Connect the USB cable

- (1) Connect the USB cable to the printer
- (2) Connect the USB cable to the PC host
- (3) Turn the power switch to on (1) state

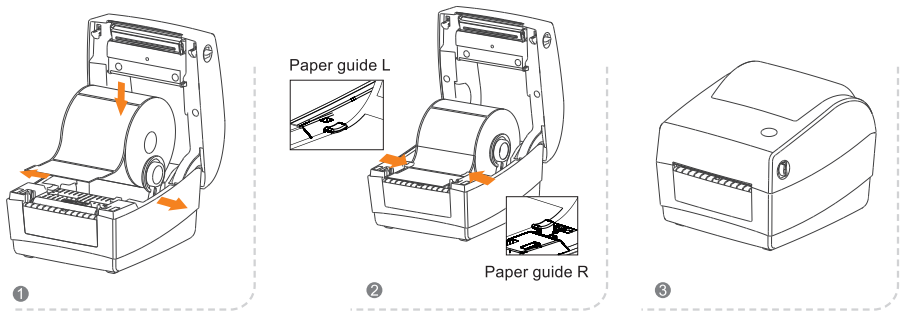


5.3 Loading Paper

The RP310 series thermal receipt printer uses 85mm thermal paper rolls and adopts an easy paper loading mechanism, which is very convenient for paper loading.

The Installation Method of Thermal Paper is as Follows:

- (1) Pull out the roll holder, confirm that the print side of paper roll faces upward, and load the paper roll.
- (2) Send the front end of the paper roll through the paper guide and pull it out beyond the rubber roller; close the paper guide to fix the two sides of the paper according to the paper width.
- (3) Close the upper cover of printer and press down gently until the top cover closes with a "click" sound.




5.4 Bluetooth pairing and printing (only valid for printers with Bluetooth)

The RP310 Bluetooth printer needs to be paired with the main device driving the printer before working, and the pairing process is initiated by the main device.

The general pairing method is as follows:

- (1) Turn on the printer.
- (2) The main device searches for external Bluetooth device.
- (3) If there are multiple external Bluetooth device, select the printer corresponding to BDA address (see self-test page for details).
- (4) Enter the initial password "0000" or "1234".
- (5) Complete the pairing.

Please refer to the Bluetooth function description of the main device for the specific pairing method. When pairing, the RP310 label printer with Bluetooth interface must be on.

 **Note: During pairing, please do not turn on multiple printers at the same time, otherwise you may not be able to judge which printer was successfully paired.**

After successful pairing, other host computers can still be paired with the printer, and each printer can be paired with up to 8 host computers. If more upper computers are paired with printers, the host computer paired with the printer at the earliest will be automatically removed from the pairing list by the printer. At this time, if this host computer needs to drive the printer for printing, it needs to be paired again. (For multi-connected Bluetooth only)

5.5 Use Bluetooth interface for printing (only valid for the printers with Bluetooth)

For host computers with virtual Bluetooth serial ports (such as mobile phones using SMARTPHONE, POCKET PC, PALM, notebook computer, etc.), after successful pairing, printing data can be sent to the printer via the virtual Bluetooth serial port for printing. If the host computer does not have a virtual Bluetooth serial port, when you want to drive the printer for printing, please consult the supplier of the host computer.

VI. The Switch, Key and Indicator Light of Printer

6.1 Power Switch

The power switch controls the flow of power to the printer. The power switch is located on the front side of the printer. When the "-" switch is pressed, the printer is turned on; When the "O" of the switch is pressed, the printer is turned off.

 **Attention: Make sure the power supply is connected before turning on the printer.**

6.2 Keys and Indicators

Function description of buttons

Scenarios	Button operation	Corresponding functions
Switch off	Press and hold + turn on the printer	Print self-test page
Standby	Press and hold 3S	Enter label specification learning mode
Open the cover	Press and hold 10 S	Restore factory settings
Standby	Press	Automatically feed one blank label sheet
Continuous printing process	Press	Pause printing
Pause printing	Press	Continue printing

Indicator description

Indicator status	Status description	
Indicator always lights up	Normal standby	
Indicator flashes	Buzzer alarm	
Buzzer alarm (common)	2 Sounds	Printer mechanism error
	3 Sounds	Paper shortage error
	5 Sounds	Overheating error
	6 Sounds	Cover opening error
	7 Sounds	Seam label error

VII. Printer Test

7.1 Print Self-Test Page

When the printer is initially installed or there are any problems with the printer, you can run self-test program to confirm the following status: firmware version, printer parameter setting status, print quality, and related setting information of external devices, etc. After confirming that there is no problem with the printer after the self-test, please check other devices or software. This function runs independently of other devices or software.


The self-test method is as follows:

- (1) Confirm that the printer is connected to power supply and the paper roll is loaded correctly.
- (2) Confirm that the printer is turned off and the top cover is closed in place.
- (3) Press and hold the FEED button, then press the POWER button to turn on the printer; release the button after the printer is turned on.

7.2 Print with the Window Driver

- (1) To install Windows driver, please refer to "RP3xx Driver Installation Instruction".
 - (2) Set the "port" of the Windows driver as the appropriate interface to use.
- Print the test page with the "Print test page" function of Windows driver


7.3 Label Learning

 **Note:** In the following cases, the user can perform label positioning learning so that the printer can better position the label:

- Install and use the printer for the first time.
- First use of printer after sensor cleaning.
- Reuse the printer after it is not used for a long time.
- Replace with a new type of paper roll.
- The printer cannot recognize the mark effectively during printing.

When the printer is ready, press and hold the FEED button for 3s until the standby status indicator flashes twice, release the button, and the printer will start learning and feed paper. If the printer learns under continuous paper mode, the learning is invalid.

Users can also complete the learning through the printer tool software. (refer to "Instruction for Printer Setting Tool".)

 **Note:** After learning, you can re-open the top cover and place the blank label paper just fed during learning back for printing to avoid paper waste.

VIII. Cleaning the Printer

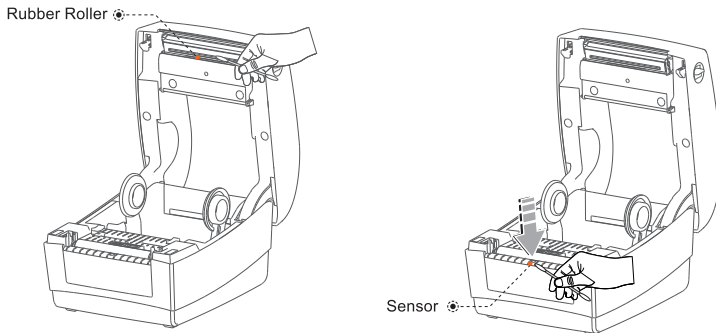
8.1 Cleaning the Printer Head

Clean the print head when one of the following conditions occurs to the printer:

- (1) Printing is not clear.
- (2) A vertical column of the printed page is not clear.
- (3) The paper feeding noise is high.

The print head cleaning steps are as follows:

- (1) Turn off the power supply of the printer, open the upper cover and remove the paper if exists.
- (2) If printing has just been completed, wait for the print head to cool completely.
- (3) Clean the printer head with a soft cotton moistened with ethyl alcohol.
- (4) After waiting for absolute ethyl alcohol to volatilize completely, close the upper cover and try printing again.



8.2 Cleaning the Sensor

Clean the paper shortage sensor when one of the following conditions occurs to the printer:

- (1) In the printing process, the printer occasionally stops printing and alarms for paper shortage.
- (2) No alarm for paper shortage.

The paper shortage sensor cleaning steps are as follows:

- (1) Turn off the power supply of the printer, open the upper cover, and remove the paper if there is any.
- (2) Wipe off the dust and stain on the sensor surface with soft cotton cloth (which should be dried) dipped in absolute ethyl alcohol.
- (3) After waiting for absolute ethyl alcohol to volatilize completely, close the upper cover and try to start the machine again.

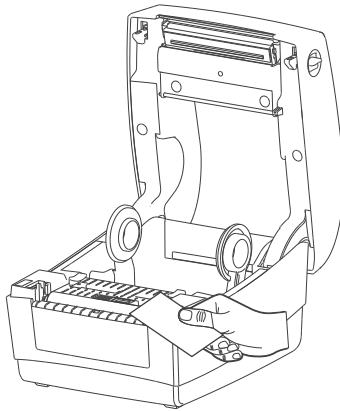
8.3 Cleaning the Printing Rubber Roller

When one of the following conditions occurs to the printer, the printing rubber roller should be cleaned:

- (1) Printing is not clear.
- (2) A vertical column of the printed page is not clear.
- (3) The paper feeding noise is high.

The printing Rubber Rollers cleaning steps are as follows:

- (1) Turn off the power of the printer and open the upper cover.
- (2) Use a soft cotton cloth (which should be dried) dipped in a neutral detergent to wipe off dust and stains on the surface of the printing rubber roller.
- (3) Close the upper cover after the cleaning agent is completely volatilized.



⚠ Attention:

- (1) The power supply must be turned off during the daily maintenance of the printer.
- (2) Do not touch the surface of the print head with hands and metal objects, and do not scratch the surface of the print head, printing rubber roller and sensor with tweezers and other tools.
- (3) The organic solvents such as gasoline and acetone shall not be used.
- (4) Wait until absolute ethyl alcohol is completely volatilized, then turn on the power supply to continue printing.

IX. Troubleshooting

The table below shows common problems and solutions for operators.

If you have followed the simple troubleshooting methods but the printer is still not functioning properly, please contact the customer service department of your dealer for assistance.

Fault Phenomenon	Cause	Solution
POWER indicator is off	a. The AC plug and the power supply plug are not properly connected to the printer socket.	a. Check the power connection and confirm that the AC plug and the power supply plug are properly connected to the printer socket. b. Turn on the printer.
Unable to print	a. The communication cable is not properly connected to the printer and PC host. b. Communication interface setting error. c. Print status error.	a. Reconnect the communication cable. b. Refer to 6.2 "Printer Indicator Information" of the manual, and confirm whether the standby status indicator is always on.
Incomplete print content	a. The paper is not centered.	a. Adjust the paper position. b. Set the correct label size.
Incorrect positioning	a. Label learning is not performed. b. Seam label detection photocoupler is offset. c. Wrong mode selected.	a. Label learning is performed. b. Open the cover to confirm whether the seam label detection component is offset. For black label paper, move the seam label detection component according to the black label position so that the detection photocoupler can detect the black label. Label paper/continuous paper: The detection photocoupler must be in the paper range. c. Use the setting tool to open the printer information and confirm whether the paper type is the same as the paper loaded in the printer, which can be changed by using the setting tool.
Poor print result	a. Paper loading error. b. Print density/speed setting error. c. Print head/rubber roller has dust or adhesive accumulation. d. The print head is damaged.	a. Reload the paper. b. Readjust the print density/speed of printer by using the setting tool or the software. Printing density can be coarsely tuned with the setting tool and finely tuned with the driver. c. Clean the print head/rubber roller. (refer to 8.1 "Cleaning Print Head"/8.2 "Cleaning Sensor"/8.3 "Cleaning Printing Rubber Roller" of the Manual.) d. Use the setting tool to detect bad point of head piece. If the print head is damaged, please contact the customer service department of your dealer for repairs.



Rongta Technology (Xiamen) Group Co., Ltd.

ADD: No. 889 Xinmin Avenue, Tongan District, Xiamen, China

WEB: www.rongtatech.com

TEL: 0086-592-5666129 FAX: 0086-592-5659169

